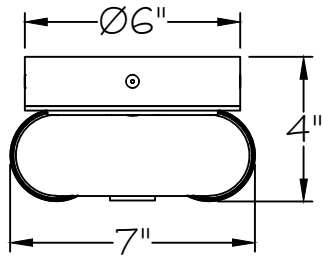
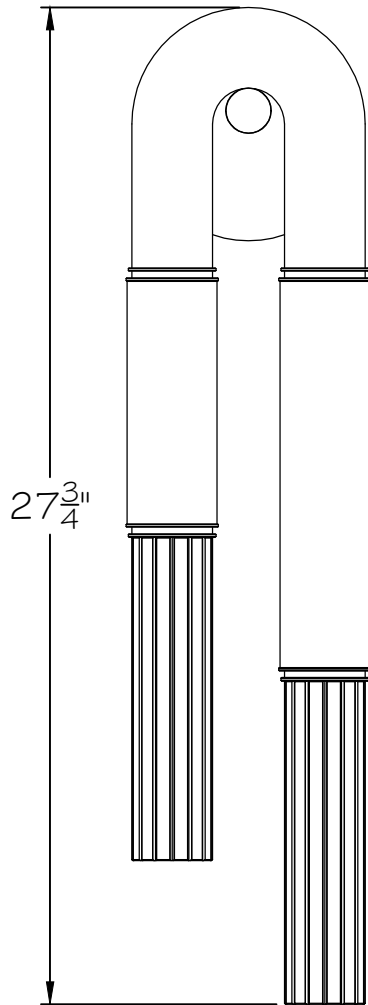


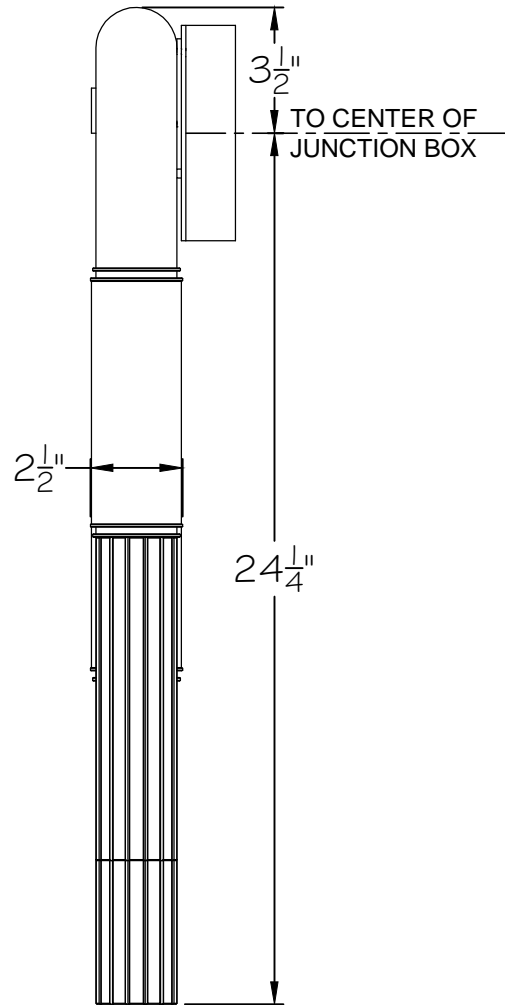
CUSTOMER REFERENCE DRAWING



TOP VIEW



FRONT VIEW



SIDE VIEW

STYLE 123- ---  
 BODY FINISH ---  
 RING FINISH ---  
 SKIN OPTION ---

STYLE CONFIGURATIONS:

-1 __ (BLACK)	-2 __ (BRONZE)	-3 __ (GOLD LEAF)	-4 __ (SILVER LEAF)	-5 __ (SOFT GOLD)	-6 __ (SFT. BRONZE)	-7 __ (SOFT SILVER)
-_1_ (POLISH.BRASS)	-_2_ (POL. NICKEL)					
-__0 (NO SKIN)	-__1 (CHARCOAL)	-__2 (SMOKE)	-__3 (MINK)	-__4 (NAVY/GOLD)	-__5 (BURNT ORAG.)	



This drawing, specifications and the product depicted are the exclusive property of Fine Art Handcrafted Lighting®. In compliance with US copyright and patent requirements, notice is hereby given that this document and the product depicted shall not be copied, altered or used in any manner without the expressed written consent of Fine Art Handcrafted Lighting®.

www.finearthl.com Tel:(305) 821-3850 Fax:(305) 513-5736  
 FINE ART LAMPS®

STYLE NUMBER:  
 922750  
 DATE:  
 3/13/2023