

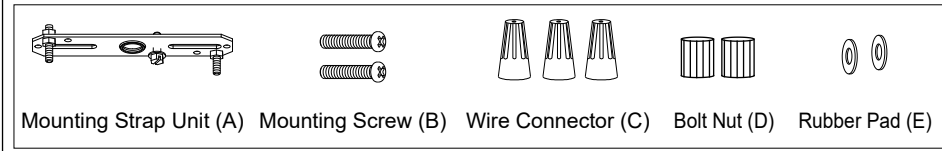
# ASSEMBLY AND INSTALLATION INSTRUCTIONS

T0546

**WARNING: Turn off the main power at circuit breaker before installing fixture.**  
**AVERTISSEMENT: Coupez la source d'alimentation principale au panneau central de disjoncteurs avant d'installer le luminaire.**

**NOTE: 1. Before installing, consult local electrical codes for wiring and grounding requirements.**  
**2. READ AND SAVE THESE INSTRUCTIONS.**

## Hardware Package (included):

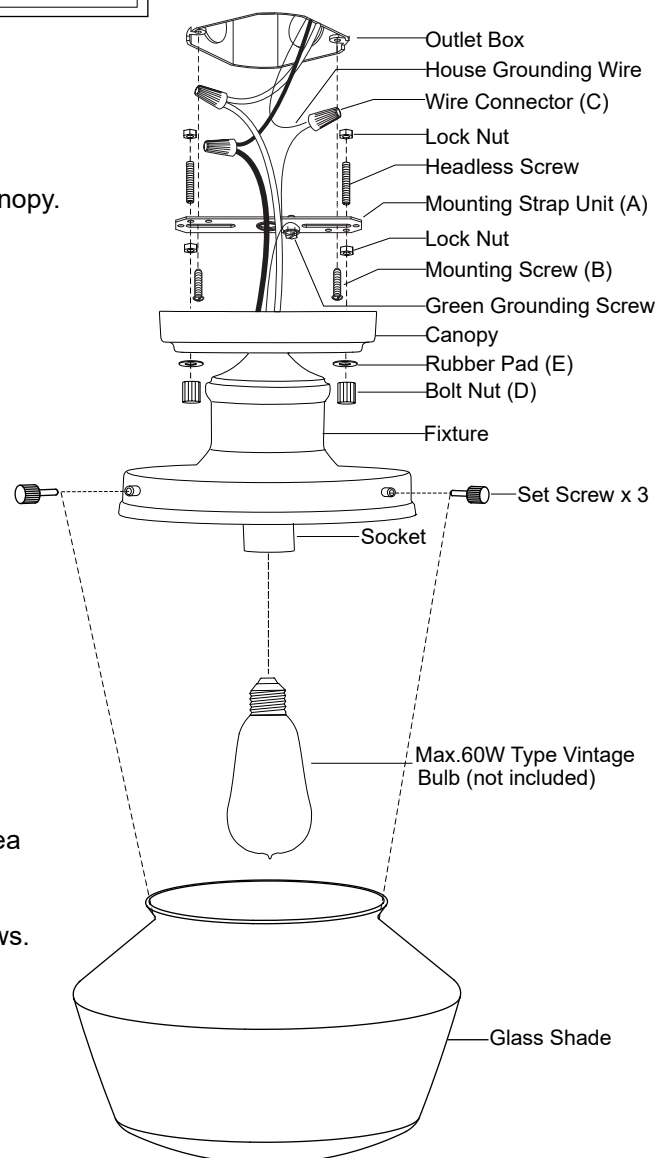


## Installation Steps

**Turn off the power at fuse or circuit box**

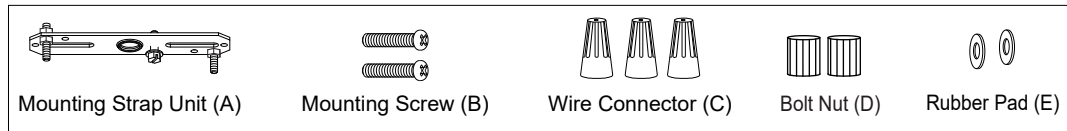
1. Remove the two bolt nuts, the mounting strap unit (A) from the canopy.
2. Attach the mounting strap unit (A) to the outlet box using two mounting screws (B).
3. Pull out the source wires from the outlet box.  
Make wire connections using wire connector (C) as follows:
  - Connect the black wire from the fixture to the black wire from the power source.
  - Connect the white wire from the fixture to the white wire from the power source.
  - Attach the fixture grounding wire to the mounting strap unit (A) with the green grounding screw, then connect it to the house grounding wire with a wire connector (C).Carefully put the wires back into the outlet box.
4. Attach the canopy to the mounting strap unit (A) by inserting the headless screw, then secure it with two rubber pads (E) and two bolt nuts (D).
5. Install the bulb (not included). Check relamping label at socket area or packaging for maximum wattage allowed .
6. Attach the glass shade to the fixture, secure it with three set screws.

**Turn on the power at fuse or circuit box**



The following parts are available for re-order if damaged or missing.

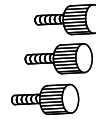
**Spare Parts List:**



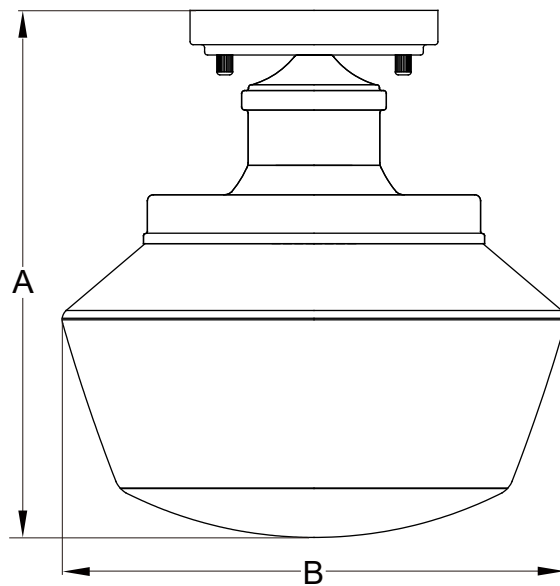
↑ Assembly Kit  
6196MM (1SET)



Glass Shade  
X1  
10146CS



Set Screw  
6198SER



**A: 10-1/2"**

**B: 10"**