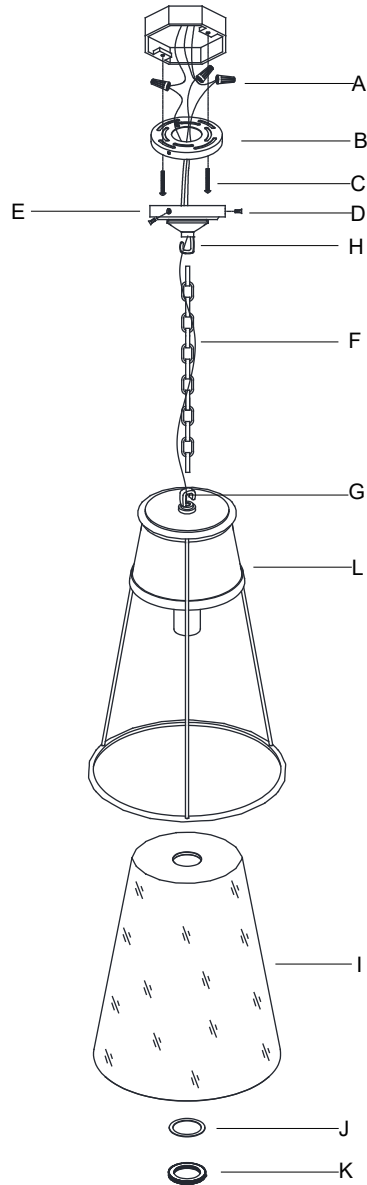


## ASSEMBLY INSTRUCTIONS



## Robinson Large Pendant

Item # TOB 5753

**WE RECOMMEND INSTALLATION OF THIS LIGHTING FIXTURE BE DONE BY A LICENSED ELECTRICIAN.**

**WARNING\*\*\*SWITCH OFF THE MAIN ELECTRICAL SUPPLY FROM THE MAIN FUSE BOX/CIRCUIT BREAKER BEFORE INSTALLATION.**

**INSPECT ITEM CAREFULLY BEFORE ATTEMPTING TO INSTALL. IF THERE IS ANY DAMAGE OR OBVIOUS DEFECT. DO NOT INSTALL.**

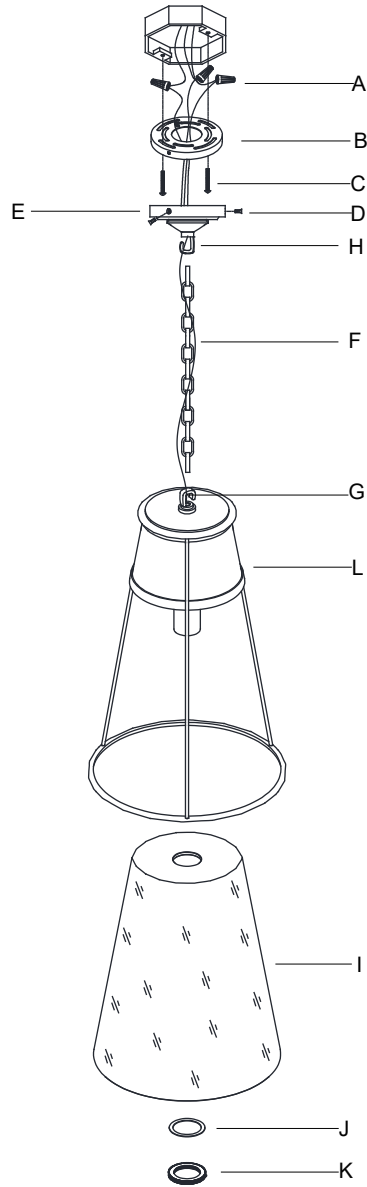
**ITEM MAY NOT BE RETURNED ONCE IT HAS BEEN INSTALLED.**

**NOTE: CAREFULLY UNPACK EACH PIECE IN TOP LAYER OF PACKING PRIOR TO REMOVING. RETAIN ALL PACKING MATERIAL UNTIL INSPECTION AND INSTALLATION ARE FINAL.**

1. Carefully remove all parts from the box.
2. Remove the mounting plate (B) from the canopy (E) by unscrewing the canopy screws (D).
3. Install the mounting plate (B) to junction box and secure with the mounting screws (C).
4. With the fixture dimension as a guide, shorten the chain (F) as needed using the chain pliers (not included).
5. Weave the fixture wires through the chain (F) and the canopy (E).
6. When you reach the canopy, measure the wires then cut, be certain to leave enough length to connect the wires in the junction box.
7. Strip the insulation on the fixture wires about 5/8".
8. Attach the chain (F) to the canopy hook (H), then attach the opposite side chain (F) to the fixture top hook (G).
9. Wrap the fixture ground wire to the green ground screw on the mounting plate (B) and secure, then connect to the ground wire in the junction box using the wire nut (A).  
IT IS IMPERATIVE THAT THIS FIXTURE BE GROUNDED.
10. Connect the fixture ribbed wire (no markings) to the neutral wire in the junction box using the wire nut (A).
11. Connect the fixture smooth wire (with markings) to the hot wire in the junction box using the wire nut (A).

**DO NOT REVERSE THE HOT AND NEUTRAL CONNECTIONS OTHERWISE SAFETY WILL BE COMPROMISED.**

## ASSEMBLY INSTRUCTIONS



## Robinson Large Pendant

Item # TOB 5753

**WE RECOMMEND INSTALLATION OF THIS LIGHTING FIXTURE BE DONE BY A LICENSED ELECTRICIAN.**

**WARNING\*\*\*SWITCH OFF THE MAIN ELECTRICAL SUPPLY FROM THE MAIN FUSE BOX/CIRCUIT BREAKER BEFORE INSTALLATION.**

**INSPECT ITEM CAREFULLY BEFORE ATTEMPTING TO INSTALL. IF THERE IS ANY DAMAGE OR OBVIOUS DEFECT. DO NOT INSTALL.**

**ITEM MAY NOT BE RETURNED ONCE IT HAS BEEN INSTALLED.**

**NOTE: CAREFULLY UNPACK EACH PIECE IN TOP LAYER OF PACKING PRIOR TO REMOVING. RETAIN ALL PACKING MATERIAL UNTIL INSPECTION AND INSTALLATION ARE FINAL.**

- Carefully tuck the wire connections into the junction box.
- Install the canopy (E) to the junction box and secure with canopy screws (D).
- Remove socket ring (K) and washer (J) from the socket, attach the glass shade (I) to the fixture body (L) and secure with washer (J) and socket ring (K).
- Insert bulbs (not included) into the sockets.
- Installation is complete, turn on power at fuse or circuit breaker.

\*\*\*Clean with a dry, soft cloth only. Use no harsh abrasives or chemical agents.